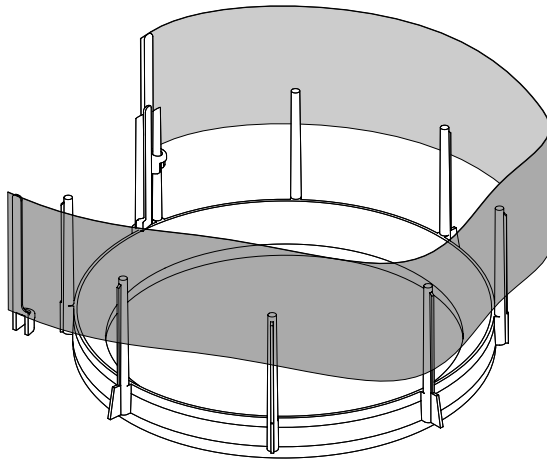
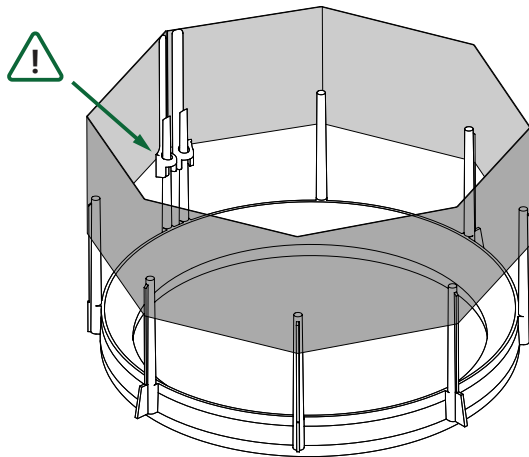




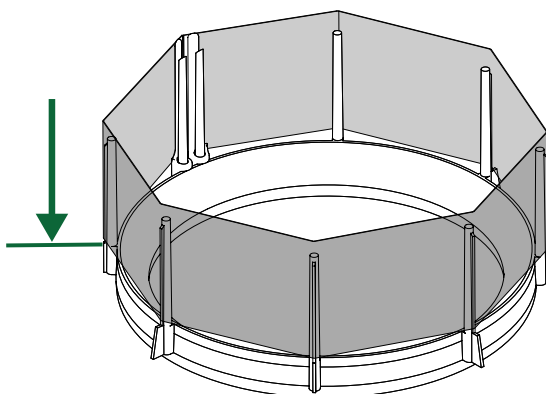
Assembly



Slide the plastic pin at one ending of the gauze over the pin as shown. The hook should be facing inward. Try not to touch the gauze extensively to avoid removal of the active powders.



Wrap the gauze around the floater and slide the other gauze hook on the last pin as shown. Double check the position of the plastic hooks at the gauze ends. Work your way around moving the gauze down at each pin.



Push the gauze down the pins until it will go no further (where the bottom of the pin hits the circular rib). The rib will prevent the gauze from sliding down too far.